

For filtering out solid impurities larger than 0.01 µm.

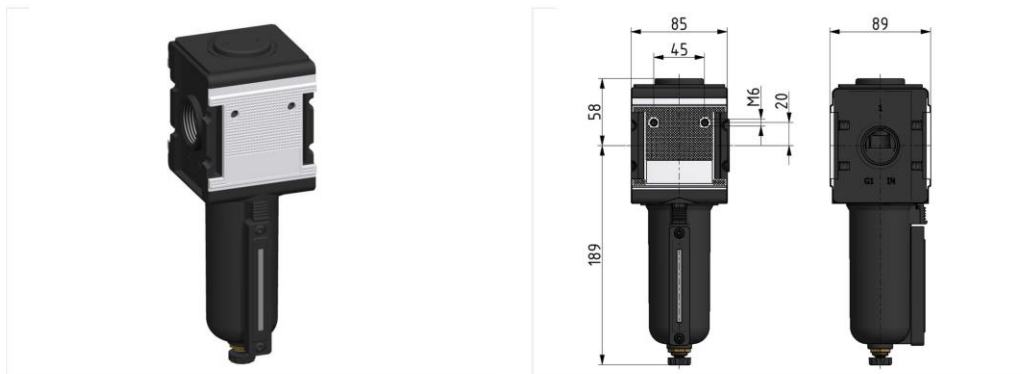
Max. input pressure:	20 bar
Medium temperature:	-10 to 60 °C
Ambient temperature:	-10 to 60 °C
Drain vale:	Semi-automatic
Sealant:	NBR
Flow rate measurement:	At P ₁ = 6 bar and pressure drop Δ _p = 0.1 bar
Filter rating:	0.01 µm
Efficiency:	99.999 %
Filter element:	Borosilicate-POM
Residual oil content:	0.01 mg/m ³

Micro-filter with metal bowl

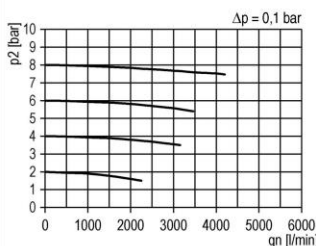
Art. No.	Type No.	Thread	Housing	Flow rate l/min	Size	DN
133148	FM 45 M	G 1	Die-cast aluminium	1500	4	25

Accessories / spare parts

Art. No.	Type No.	Description
135858	ZW 45	Mounting bracket with 2 screws
135857	KP 45	Coupler pack for modular assembly of several devices
135859	KSS 45 F-HA	Polycarbonate bowl, Bowl guard with semi-automatic draining
135860	KSS 45 F-A	Polycarbonate bowl, Bowl guard with fully automatic draining
135861	MS 45 FS	Metal bowl with sight glass and semi-automatic draining
135862	MS 45 FS-A	Metal bowl with sight glass and fully automatic draining
100362	655.6.900	Automatic drain valve
100190	M 884/02	Filter element (borosilicate-aluminium)



flow characteristic



symbol

